

VIKE Aviary System

- Aviary system that provides outstanding results
- Excellent overview and easy inspection
- Integrated Volito Valego nest systems



Overview

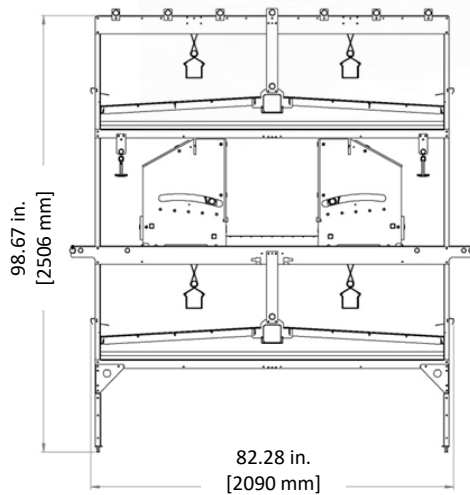
- Multiple configurations and system widths available for optimal poultry house layout
- Low height ensures fit in existing houses with lower ceilings and allows a complete overview
- Optimal movement of hens through the poultry house

Volito Valego Integrated Nests

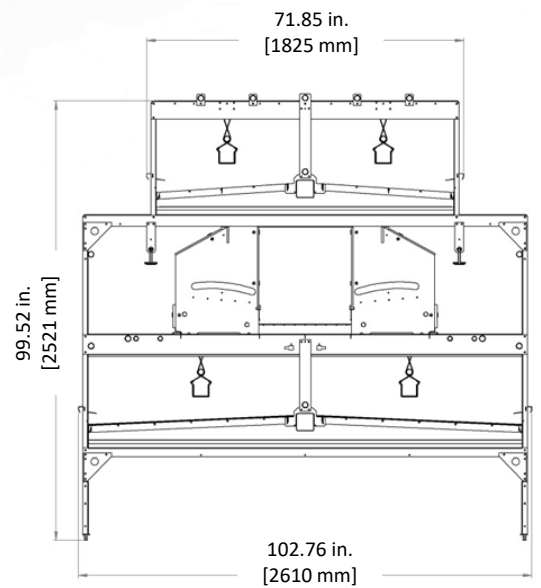
- Rack Drive Expulsion (RDE), Rack Floor Expulsion (RFE)
- Quick and easy assembly with smart Click&Fix system
- Walls and roofs from durable film faced plywood
- Self-cleaning AstroTurf® nest pads
- Egg belt options: 1 x 19.69 in. [500mm] or 2 x 9.84 in. [250 mm]

Configurations

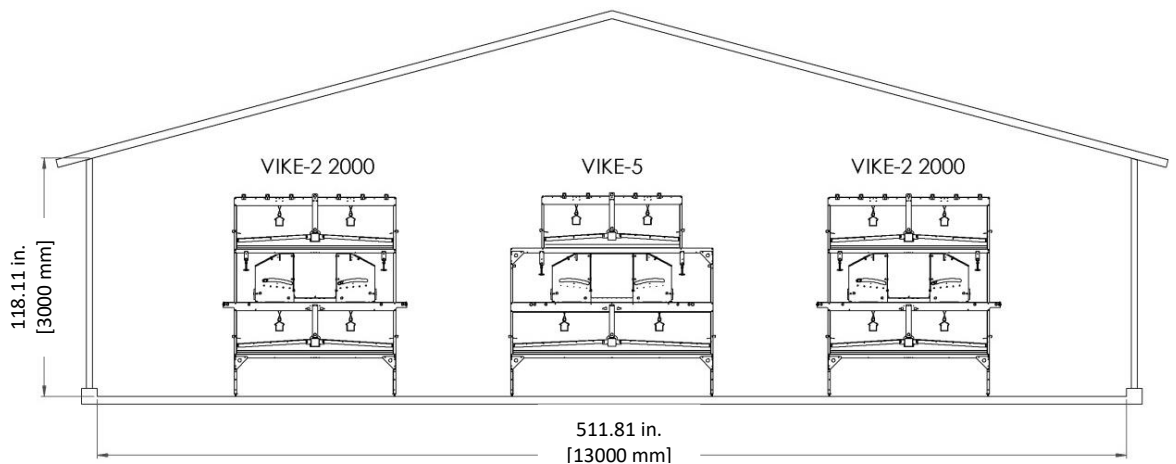
- VIKE-2
 - 2 manure belt tiers and 1 nest tier
 - Width: 71.85/82.28/102.76 in. [1825/2090/2610 mm]
- VIKE-4
 - 3 manure belt tiers and 1 nest tier
 - Width: 71.85/82.28/102.76 in. [1825/2090/2610 mm]
- VIKE-5
 - 2 manure belt tiers and 1 nest tier
 - Upper tier 71.85 in. [1825mm] and lower tier 102.76 in. [2610mm] in step configuration



VIKE-2



VIKE-5 Step



Combine different VIKE configurations for optimal poultry house layout